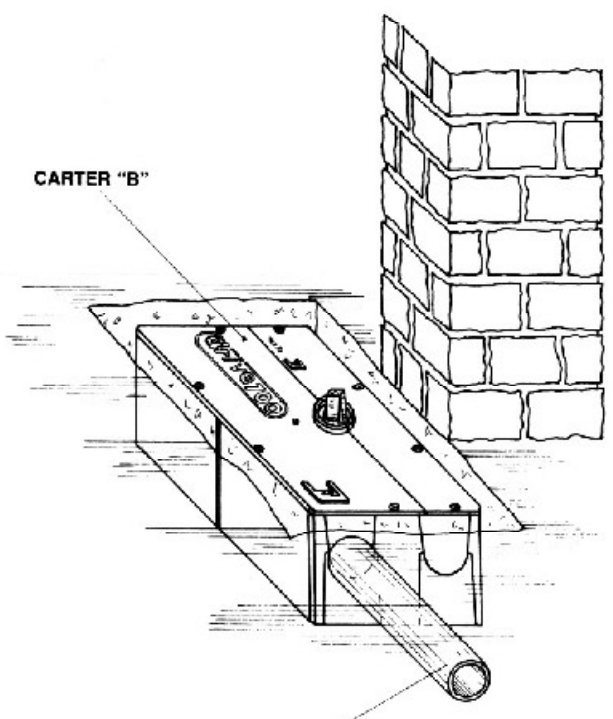
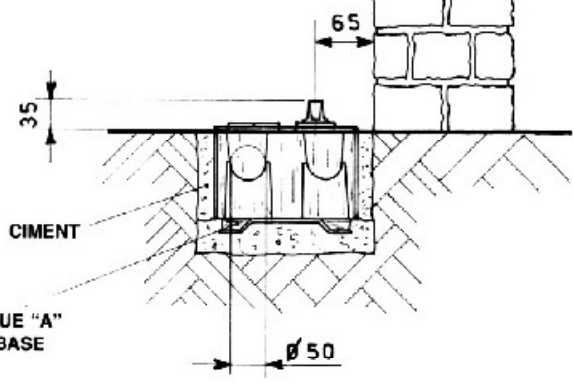


CARTER "B"



FOURREAU  
PLASTIQUE "H"



CIMENT

PLAQUE "A"  
D'EMBASE